



A SUPERIOR BUT SIMPLE SYSTEM FOR CASTING CONCRETE FLOORS

📍 SCREED RAIL 📍 FORM SYSTEM 📍 DOWEL BAR HOLDER 📍 CONSTRUCTION JOINT

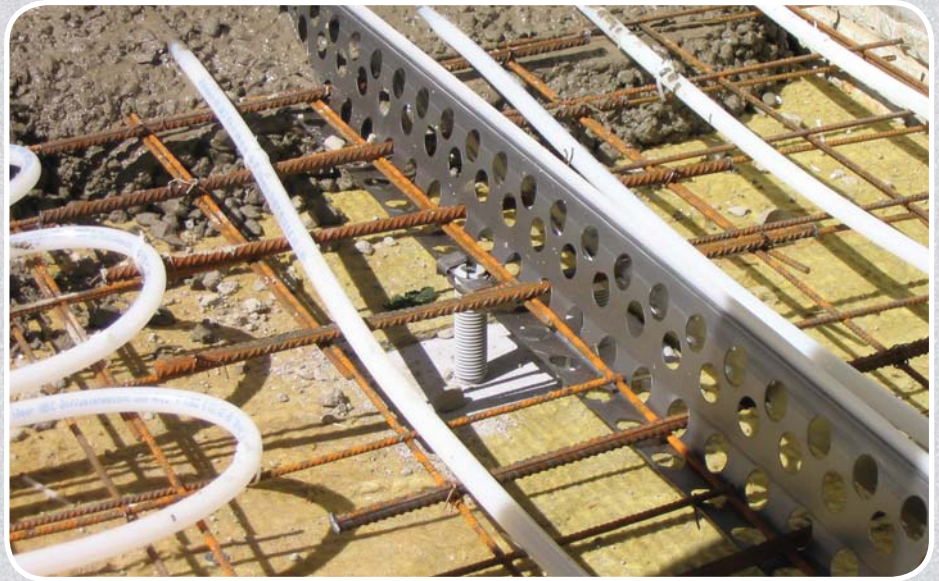


Some of the benefits of CombiForm are:

- Ⓐ Available in seven heights
- Ⓐ Leave-in-place screed rail and stopper
- Ⓐ Suitable for all beddings
- Ⓐ Allows continuous pouring
- Ⓐ Brilliant simplicity – easy and flexible
- Ⓐ Super flat floors
- Ⓐ Superior strength
- Ⓐ True construction joint – without cutting
- Ⓐ Light weight – reduces the risk of industrial injuries
- Ⓐ Saves on labour and production costs

CombiForm is perfect to use as:

- Ⓐ Screed rail
- Ⓐ Form system
- Ⓐ Dowel bar holder
- Ⓐ Construction joint



Examples of sites where CombiForm has been used:

- Ⓐ Heathrow Terminal 5 and external pave ways
- Ⓐ Petrol station forecourts throughout Great Britain
- Ⓐ Superstores throughout Great Britain
- Ⓐ Royal Worcester Hospital, PFI Project
- Ⓐ Chemistry Block, Exeter University
- Ⓐ Newton Abbott College
- Ⓐ Mormon churches in hospital grounds in association with NHS Trusts
- Ⓐ Nuclear Power Stations
- Ⓐ Celtic Manor Golf Club, Newport South Wales
- Ⓐ MOD Projects



Royal Worcester Hospital,
PFI Project



BP forecourt



Celtic Manor
Golf Club,
Newport
South Wales

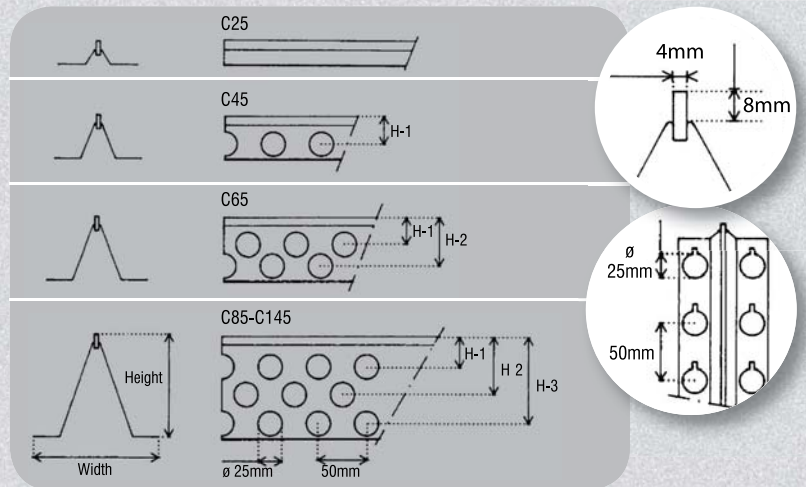
TECHNICAL INFORMATION & SPECIFICATIONS

Screed rail (measurements in mm)

Tolerances: Length +/-5mm and height +4mm/-2mm

Product	Height	Width	H-1	H-2	H-3	Weight (kg) 2.2m
C25	25	80	-	-	-	1.7
C45	45	90	30	-	-	2.0
C65	65	105	28	47	-	2.4
C85	85	115	31	49	67	2.7
C105	105	130	32	53	88	3.5
C125	125	135	32	64	109	4.2
C145	145	160	32	75	127	4.8

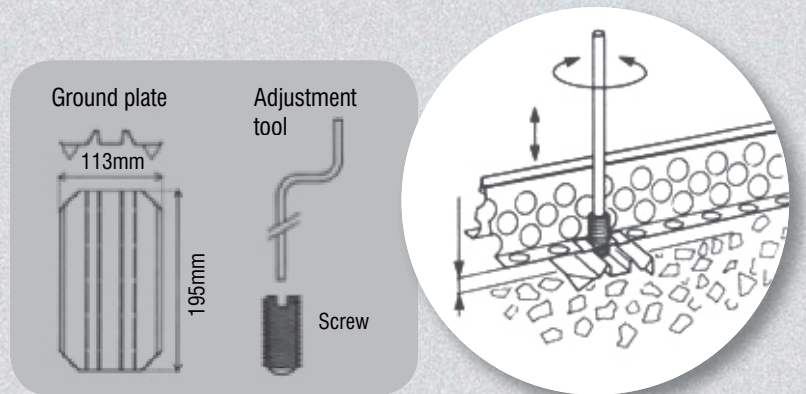
Material: Screed rail cold rolled steel DC01 and top strip Polyethylene.



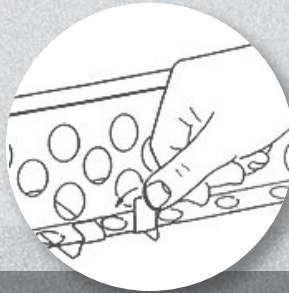
Accessories (measurements in mm)

Part	Size	Package (pcs)
Screws	60	100
Screws	90	100
Ground plate	113x195	50
Top Extender	30x2200	1220
Adjustment tool	440	1
Adjustment tool	1300	1

Material: Ground plate metal and Top Extender Polypropylene

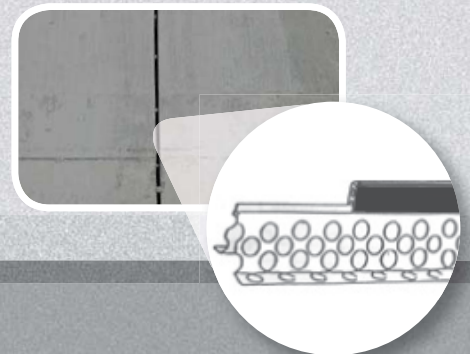


Locking clips to fix width and height available for C45-C145 screed rail



Top Extender

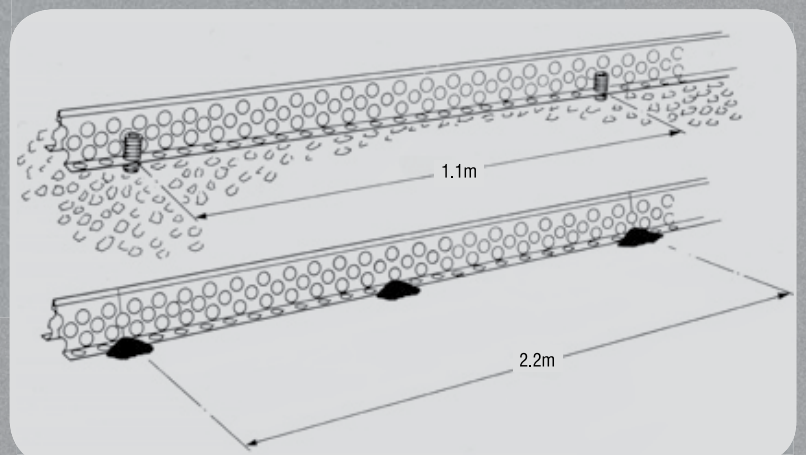
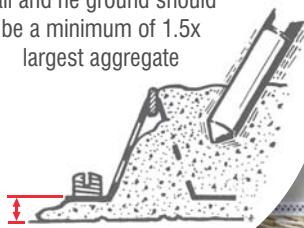
- ⬆ Can be left in or taken out
- ⬆ Will increase the cover
- ⬆ Acts as a saw cut
- ⬆ Cost and time saving

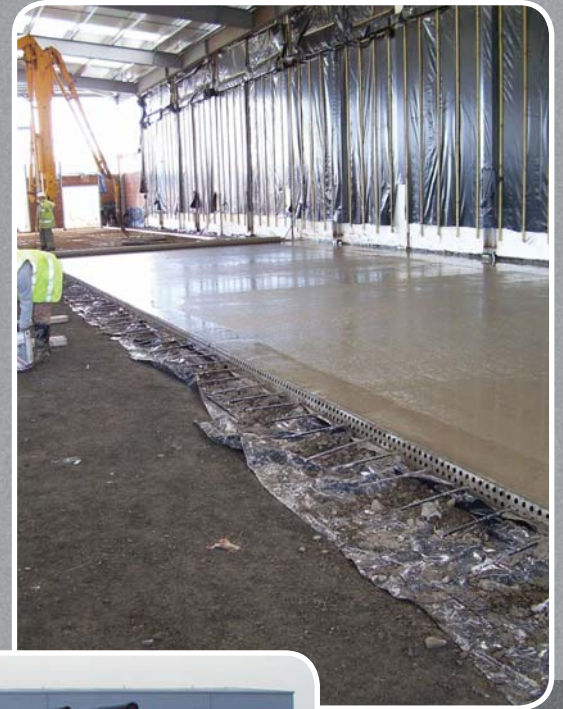


Settings

Vibration important!

The distance between the rail and the ground should be a minimum of 1.5x largest aggregate





Distributor:



FLS – Floor Levelling Systems Ltd.
Box 26, Malvern, Worcestershire WR14 4XY UK

Tel: **07710 406906**

Fax: **01684 577857**

Email: combiform@flslimited.com

www.combiform.co.uk

